

Light Weight Magnetic Climbing Robots



Helical Robotics FerroTanker Series

FerroTanker-20 Features

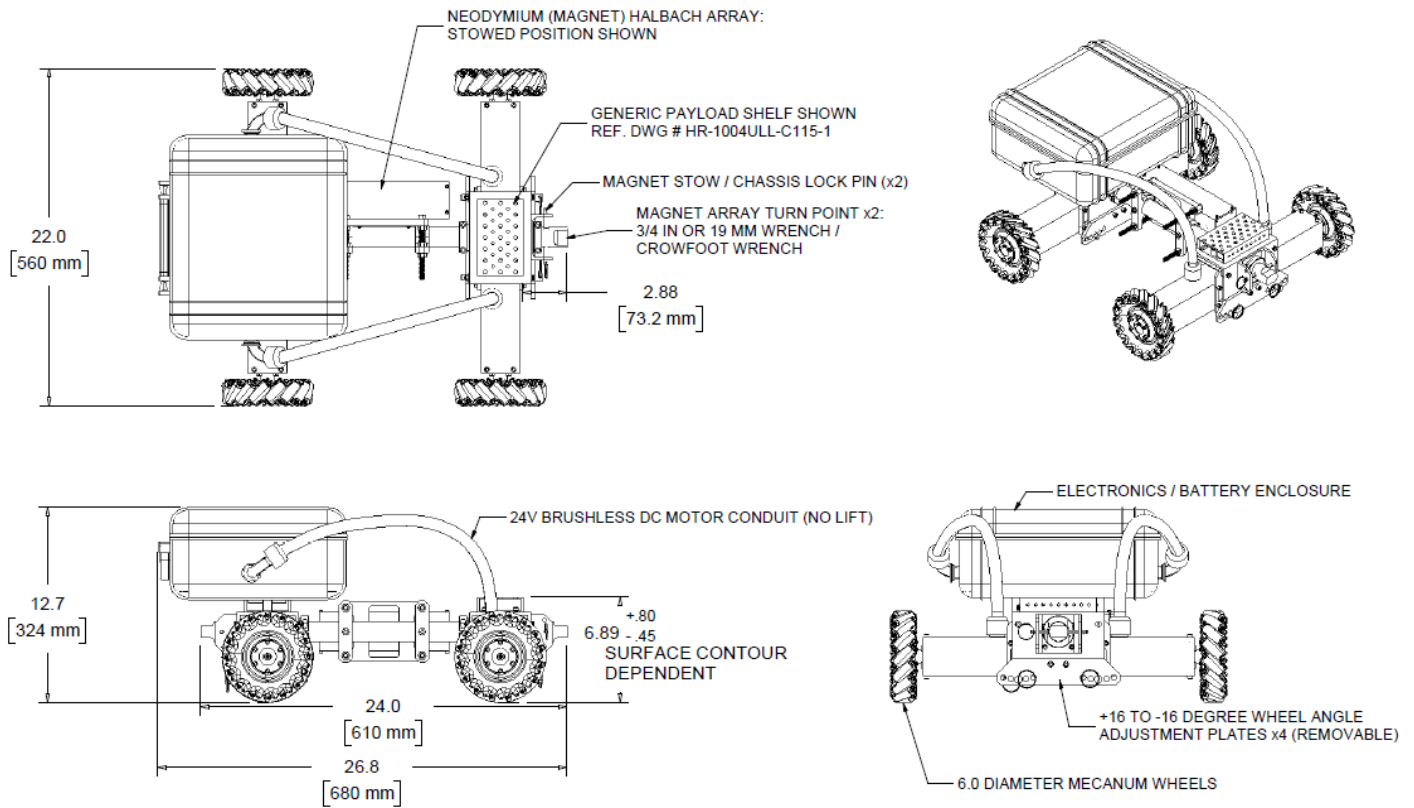
FerroTanker-20 is a single man portable, climbing robot for cylindrical, uneven, and flat objects.

- Lightweight and portable design for easy deployment, use, and transport.
- Payload surface allows for a wide range of tooling and equipment compatibility.
- Mecanum wheel drive system offers best in class maneuverability.
- Magnetic adhesion system does not touch the work surface.
- Works on surfaces with curvature diameters (ID or OD) greater than 72 inches (182.8 cm) as well as flat or uneven plates in any orientation.
- Full wireless operation allows for expanded work environment.
- Optional integration with other devices such as cameras, sensors, inspection equipment (e.g. ultrasound)
- Multiple chassis sizes and capacities engineered to order per customer specifications.

***Request Your
Quote Today!***

www.helicalrobotics.com





NOTES:

1. READ OPERATING MANUAL (HR-MP20T-1UM) BEFORE USING
2. DRY WEIGHT: WITHOUT PAYLOAD (NOT SHOWN) OR BATTERY PACK
3. PAYLOAD CAPACITY: 20 LB (SEE NOTE 4)
4. CAPACITY WHERE PAYLOAD CG WITHIN 6 INCHES OF PAYLOAD SHELF WITH MAGNET 0.25 - 0.70 INCHES OFF WORK SURFACE AND A BATTERY WEIGHT UP TO 5.0 LB.
5. CYLINDER OPERATING DIAMETERS: 72+ ID OR OD + FLAT PLATE
6. TRAVEL SPEEDS: 25-400 IPM
7. OPERATING TEMPERATURES -40 TO +60 C
8. DO NOT SPRAY WITH PRESSURIZED WATER
9. DIMENSIONS FOR REFERENCE ONLY
10. DRAWING UNITS = INCHES UNLESS OTHERWISE NOTED

Model	FerroTanker-20
Dry Robot Mass	54.0 lbs (24.5 kg)
Footprint	26.8 x 22.0 in (68.1 x 55.9cm)
Height	12.7 in (32.3 cm)
Surface Operating Range	72 in (182.8 cm) or Greater ID or OD Surface Curvature Including Flat/Uneven Plates
Max Climbing Payload Capacity	20 lbs (9 kg)
Max Non-Climbing Payload Capacity	200 lbs (90 kg) on Non-Ferrous Surfaces
Minimum Speed	25 ipm (0.64 m/min)
Maximum Speed	400 ipm (10.16 m/min)
Adhesion System	1 Neodymium Halbach Array
Drive Batteries	1 NiMH Battery Pack (4.9 Ah) / Optional Li-Ion (8.7 Ah) Available
Drivetrain	24V Brushless DC Motors with Closed Loop Velocity Control
Control Mode	2.4 GHz Wireless Controlled with Helical Robotics Mecanum Drive Control System
Wireless Control Range	2500 ft (762 m) Line of Sight
Telemetry	Case Temperature/Drive Motor & Controller Battery Voltage/Signal Strength
Operating Temperature	-40 °F to 140 °F (-40 °C to 60 °C)
Ingress Protection	IP54

Information subject to change without notice.
Based on optimal conditions.